

Sertifika

Denetim Standardı **ISO 9001:2015**
Sertifika Tescil No. **01 100 2415869**

Belge Sahibi: **RPS PROFİL - HALİL HANOĞLU**
MİNARELİÇAVUŞ MAH. ATALAY CAD.
136. SOKAK NO:5
BURSA
Türkiye

Kapsam: **ÇELİK TEN AÇIK PROFİL İMALATI**

Geçerlilik: Yapılan bir inceleme ile ISO 9001:2015 şartlarının sağlanmış olduğu kanıtlanmıştır.
İşbu sertifika 2024-06-25 den 2027-06-24 e kadar geçerlidir.
İlk sertifika tarihi 2024

2024-07-05


TÜV Rheinland Cert GmbH
Am Grauen Stein - 51105 Köln

www.tuv.com



RPS profil



0090 532 426 07 46
0090 224 242 14 41



www.rpsprofil.com



info@rpsprofil.com

Minareli Çavuş Mah. Atalay Cad. No:5 Nilüfer/ BURSA



www.rpsprofil.com



info@rpsprofil.com



RPS PROFILE is a company established in 2011 in the Bursa NOSAB region to meet your needs for various profile types used in many sectors and your special production requirements. With our highly efficient and qualified personnel, we produce and deliver profiles or consumables according to your requirements and within your desired tolerances in our 4000 square meter production facility.

We have the capability to produce profiles of all kinds with special cross-sections, with or without perforations.

These profiles include SOLAR PANEL PROFILES , 41X41 / 41X21 / 41X61 Profiles, profiles in special cross-sections, C, U, OMEGA profiles, cable trays, and drywall profiles.

These profiles are produced according to your requirements using our state-of-the-art machinery, in accordance with TSE and ISO9001 Quality Standards, and are delivered to our customers after quality control.

OUR CAPACITY

Our company has a monthly processing capacity of 2000 tons with 6 roll forming lines and presses in our 4000 square meter production facility. We can process all types of solar power profiles up to 4 mm thick and 400 mm wide, up to 13 meters in length. Additionally, we can precisely machine the desired holes or core holes on the profile according to the project specifications, within tolerances.



0090 532 426 07 46
0090 224 242 14 41

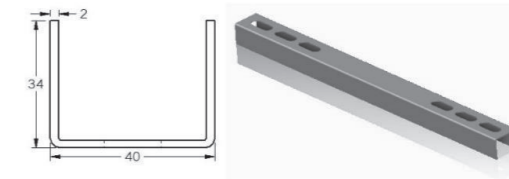


www.rpsprofil.com

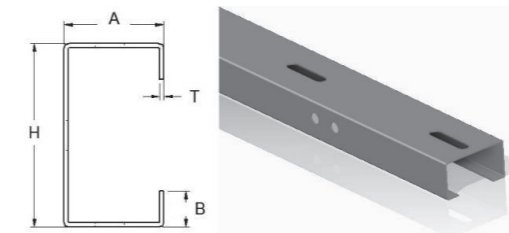


info@rpsprofil.com

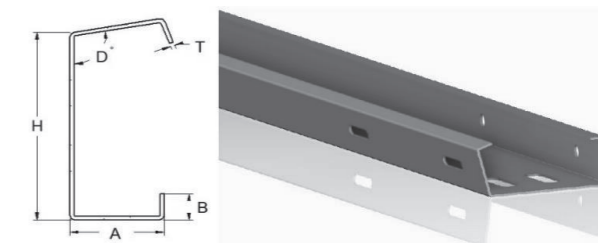
SOLAR PANEL PROFILES



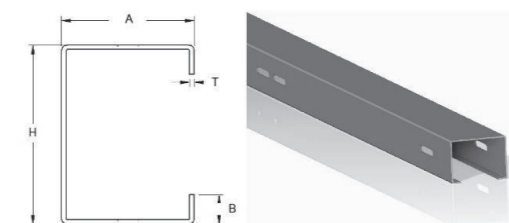
Product name	Side Height	Lenght	Base	Thickness	Inner tab width
	A	L	H	T	B
Support column "C" Profile	40-60mm	6000-13000 mm	40-140mm	2-4mm	10-25mm



Product name	Side Height	Lenght	Base	Thickness
	A	L	H	T
"U" Profile	34-40mm	6000-13000 mm	40-140mm	2-3mm

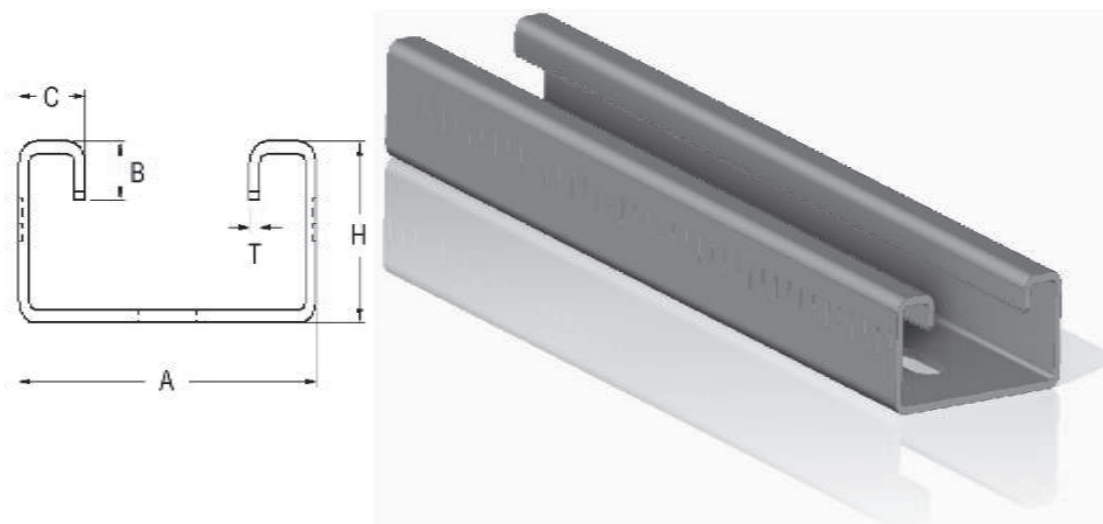


Product name	Side Height	Lenght	Base	Thickness	Inner tab width	Angle
	A	L	H	T	B	D
Angled Profile	40-60mm	6000-13000 mm	40-140mm	2-3mm	14-19mm	90-115



Product Name	Side Height	Lenght	Base	Thickness	Inner tab width
	A	L	H	T	B
Purlin	40-60mm	6000mm	70-120mm	2-3mm	10-25mm

CHANNELS PROFILES



Product Name	Base	Length	Height	Thickness	Inner tab width	Inner tab height
	A	L	H	T	B	C
RPS 41X22	41 mm	6000 mm	22 mm	2-2,5 mm	7 mm	9,5 mm
RPS 41X41	41 mm	6000 mm	41 mm	2-2,5 mm	7 mm	9,5 mm
RPS 41X62	41 mm	6000 mm	62 mm	2-2,5 mm	7 mm	9,5 mm

SPECIAL PROFILES

